

ISUZU

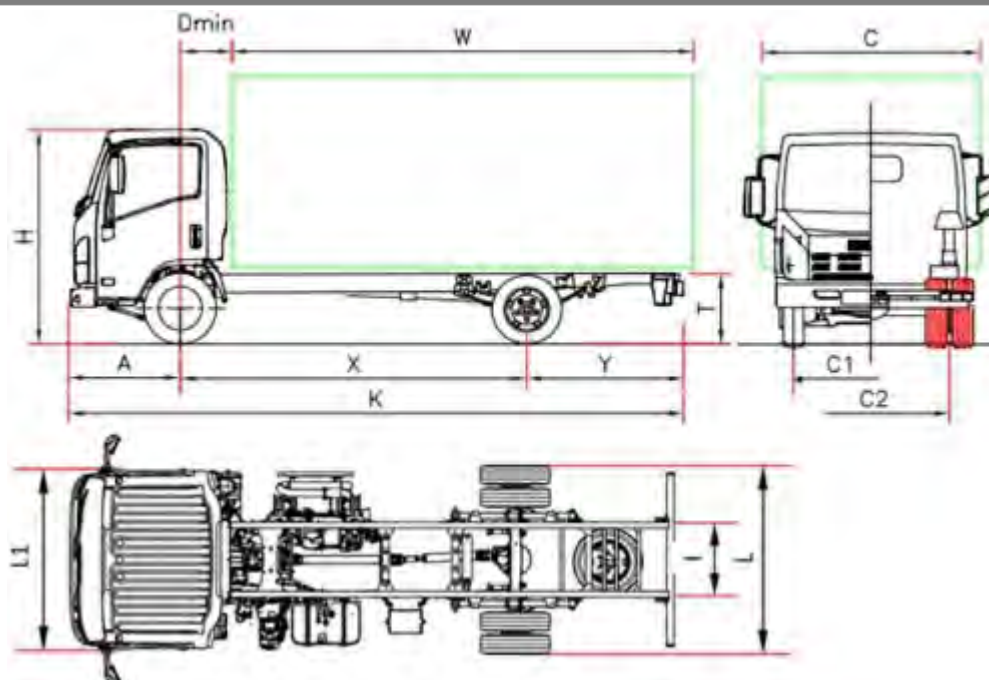
SERIES N-6,5 T
VERSION Euro VI OBD-D



EDITION 2020

Série Bleu

N.B.: Technical and specification data are given as guide only and they can be modified at any time with no prior warning. Nor the constructor neither MIDT Europe can be considered responsible if any of this information is incorrect.



P 65		P65 H	P 65 K
Wheelbase	X	3395	3845
Overall length	K	6090	6735
Body lenght min. ⁽¹⁾	W	4270	4915
Body lenght Max. ⁽¹⁾	W	4555	5205
Rear overhang	Y	1585	1780
Chassis height	T		800
Overall height	H		2250
Rear axle width	L		1990
Cab width ⁽²⁾	L1		2040
Body width ⁽³⁾	C		2345
Front axle to back of cab	D min		710 ⁽⁷⁾
Front overhang	A		1110
Frame internal size	I		750
Front track	C1		1680
Rear track	C2		1525
Minimum Road Clearance	-		210
Turning diameter (m) ⁽⁴⁾	-	12,7	14,2
WEIGHT (kg)			
Unladen weight ⁽⁵⁾		2600	2640
Unladen weight front axle		1730/870	1750/890
Gross Vehicle Weight (GVW) ⁽⁶⁾		6500	
Front/rear total weight		3100 / 4600	
Max trailer weight unbraked / Max trailer weight braked		750 / 3500	

1. The length of the body refers to a uniformly loaded vehicle, up to the maximum capacity on each axle (dimensions declared in C.O.C. with no chassis modifications).
2. Excluding turn signal and side mirrors
3. Possible widths with optional mirror brackets 2040/2170 – 2170/2345 – 2345/2500
4. Curb to curb turning diameter
5. The Unladen weight include spare wheel, full fuel tank and driver, optional excluded. NEES +35 Kg (25/10)
7. NEES II 650.

P 65 - Wheelbase (mm) H 3395 - K 3845

JANUARY 2020

Equipment	NEES 2	
Standard features		
<ul style="list-style-type: none"> • EGR - DPD - SCR • MID display • Engine exhaust brake • Reverse warning buzzer • Immobilizer 	<ul style="list-style-type: none"> • Central locking with remote control • Power operated windows • Suspended seat • Side mirrors heated and electric • Radio DAB+ with USB 	<ul style="list-style-type: none"> • Head lamps control levelling • Day-time running lights • Steering adjustable (tilting and height) • Speed limiter (90km/h)
Optional	<ul style="list-style-type: none"> . Air conditioning . Wheelbase modified . Body builder Controller 	
Engine	<p>ISUZU 4JJ1E6N Diesel Engine 4 cylinders. Intercooler, common-rail with direct injection Variable-geometry turbocharger DISPLACEMENT 2999 cm³ POWER 110kW (150 CV) a 2800 rpm TORQUE 375 Nm/1600 – 2800 rpm EMISSIONS REGULATIONS EURO VI OBD-D.</p>	
Safety systems	ABS ESC (Electronic Stability Control) with ASR LDWS – Sistema di allerta superamento corsia AEBS (Advanced Emergency Braking System) SRS 2 Airbag (Driver/Pass.)	
Tank	L 90	L 16 Ad-Blue®
Gearbox and Final drive ratio	6 gear MYY6S – 5.979 - 3.434 - 1.832 - 1.297 - 1.000 - 0.759; Reverse 5.068; Final gear ratio 4.556 (41/9)	
Transmission control	Manual	NEES 2
Dimensions of the chassis	Width 70 mm, Height 214 mm, Thickness 5 mm	
Number of seats	3	
Axle	2 the rear one with twin wheels.	
Tires	Front 215/75 R17,5C simple. Rear 215/75 R17,5C dual.	
Brakes	Front and rear: ventilated discs with asbestos-free linings.. Hydraulic system, with vacuum brake booster EEC standards with ABS, independent circuits on both axles . Drum parking brake on the transmission shaft.	
Suspensions	Front and rear: Multi semi elliptical alloy steel leaf spring. Hydraulic double acting shock absorbers.	
Electric system	Nominal voltage 24V - Generator 90A - 2 x Battery 70Ah	

ISUZU

SERIES N - F

VERSION Euro VI OBD-D

For further information
ISUZU MOTORS LIMITED

www.isuzu.ba

